

## OPT-R1210XL525-100

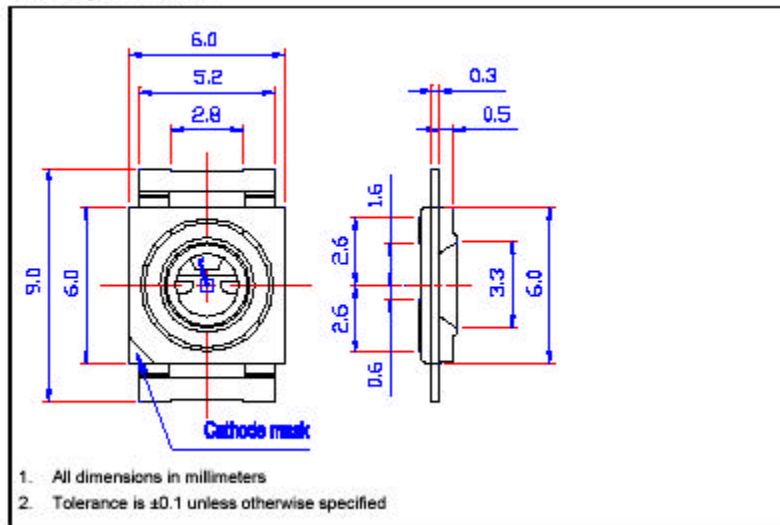
### Electro-Optical Characteristics

Lighting Color	Material	Vf(V)		nm	Ir	View Angle	M/m	mcd
		Typ	Max	Typ	max		Typ	Typ
Green	InGaN	5.5	6.5	525	10	120	4000	1200

### Absolute Maximum Ratings

If(mA)	Pd(mW)	Vr(V)	Top(°C)	Tst(°C)
75	450	5	-40~+100	-40~+100

### Package Outlines



- Super high brightness surface mount LED.
- High flux output.
- 120° viewing angle.
- Compact package outline (LxW) of 6.0 x 6.0 mm. Ultra low height profile – 1.5 mm.
- Designed for high current drive; typically 75mA.
- Low thermal resistance;  $R_{th(j-c)}$  = 20K/W.
- Compatible to both IR reflow soldering.

## OPTOLOCO

8132 Firestone Blvd., Suite #65 Downey, CA. 90241 Phone 562 622-2505 Fax 888 398-8496  
email [leds@optoloco.com](mailto:leds@optoloco.com) web site <http://www.optoloco.com/>

THIS DOCUMENT CAN BE CHANGED AT ANY TIME WITHOUT NOTICE