

OPT-3CE470-15

DESCRIPTION

SOURCE MATERIAL-----InGaN
EMITTING COLOR-----Blue
LENS TYPE-----WATER CLEAR

ABSOLUTE MAXIMUM RATING (Ta=25°C)

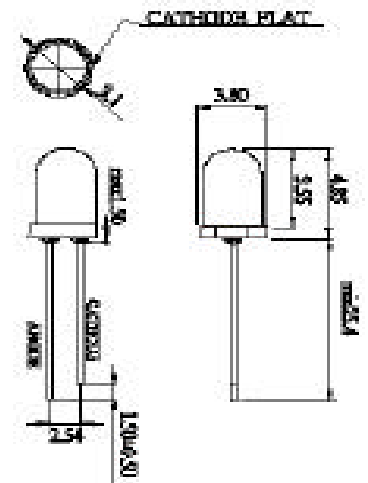
PULSE CURRENT (1/10 DUTY, 0.1 mS PULSE WIDTH)-----80mA
REVERSE VOLTAGE-----5.0V
OPERATING TEMPERATURE----- -40°C TO 85°C
STORAGE TEMPERATURE----- -40°C TO 100°
LEAD SOLDERING TEMPERATURE-----260°C FOR 3

SECONDS

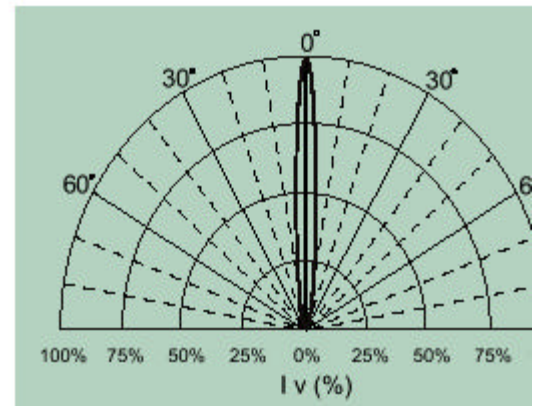
CHARACTERISTICS (Ta=25°)

PARAMETER	CONDITION	SYMBOL	MIN	TYP	MAX	UNIT
POWER DISSIPATION		Pd		70		mW
PEAK EMISSION WAVELENGTH	If=20mA	P		470		nm
FORWARD VOLTAGE	If=20mA	VF		3.50		V
REVERSE CURRENT	VR=5V	Ir			50	µA
LUMINOUS INTENSITY	If=20mA	Iv	1200	1500	1800	mcd
VIEWING ANGLE	If=20mA	2 1/2		15		deg

Package Dimensions



Beam Pattern



Note:

- The dominant wavelength, λ_D , is derived from CIE 1931 Chromaticity Diagram and represents the emitting color of the device.
- The luminous intensity of the lamp is measured on the mechanical axis of the lamp. The optical axis is closely aligned with the package mechanical axis.
- Less than 10% of distribution have I_v around minimum value.
- More than 70% of the distribution are within the typical value (+/- 15%)
- Specifications are subject to change without notice

OPTOLOCO

8132 Firestone Blvd., Suite #65 Downey, CA. 90241 Phone 562 622-2505 Fax 888 398-8496
email leds@optoloco.com web site <http://www.optoloco.com/>