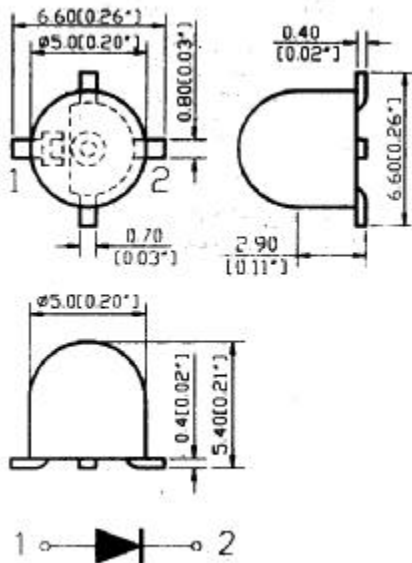


OPT-5GH615-30

SMD LED Lamps – Dome Shaped

Spec Sheet

Chip			Lens Color	Vf(V)		Lv(mcd)			View Angle 20 1/2 30
Material	Emitted Color	(nm)		Typ	Max	At If=mA	Min	Typ	
AlGaInP	Amber	615	Water Clear	2.0	2.8	20	600	1500	30



Technical Data - Characteristics (TA=25°C)

- Forward current (peak) – 150 mA
- Power dissipation P - 120 mW
- Reverse Voltage – 5.0V
- Reverse Current (Vr=5V) – 10 μ A
- Operating Temperature -40°+85°
- Storage Temperature -40°+85°
- Lead Soldering Temp. - 260° for 3 sec.
- All dimensions are in millimeters (inches)
- Tolerance are + - 0.1mm (0.004inch) unless otherwise noted.

OPTOLOCO

8132 Firestone Blvd., Suite #65 Downey, CA. 90241 Phone 562 622-2505 Fax 888 398-8496
email leds@optoloco.com web site <http://www.optoloco.com/>

THIS DOCUMENT CAN BE CHANGED AT ANY TIME WITHOUT NOTICE